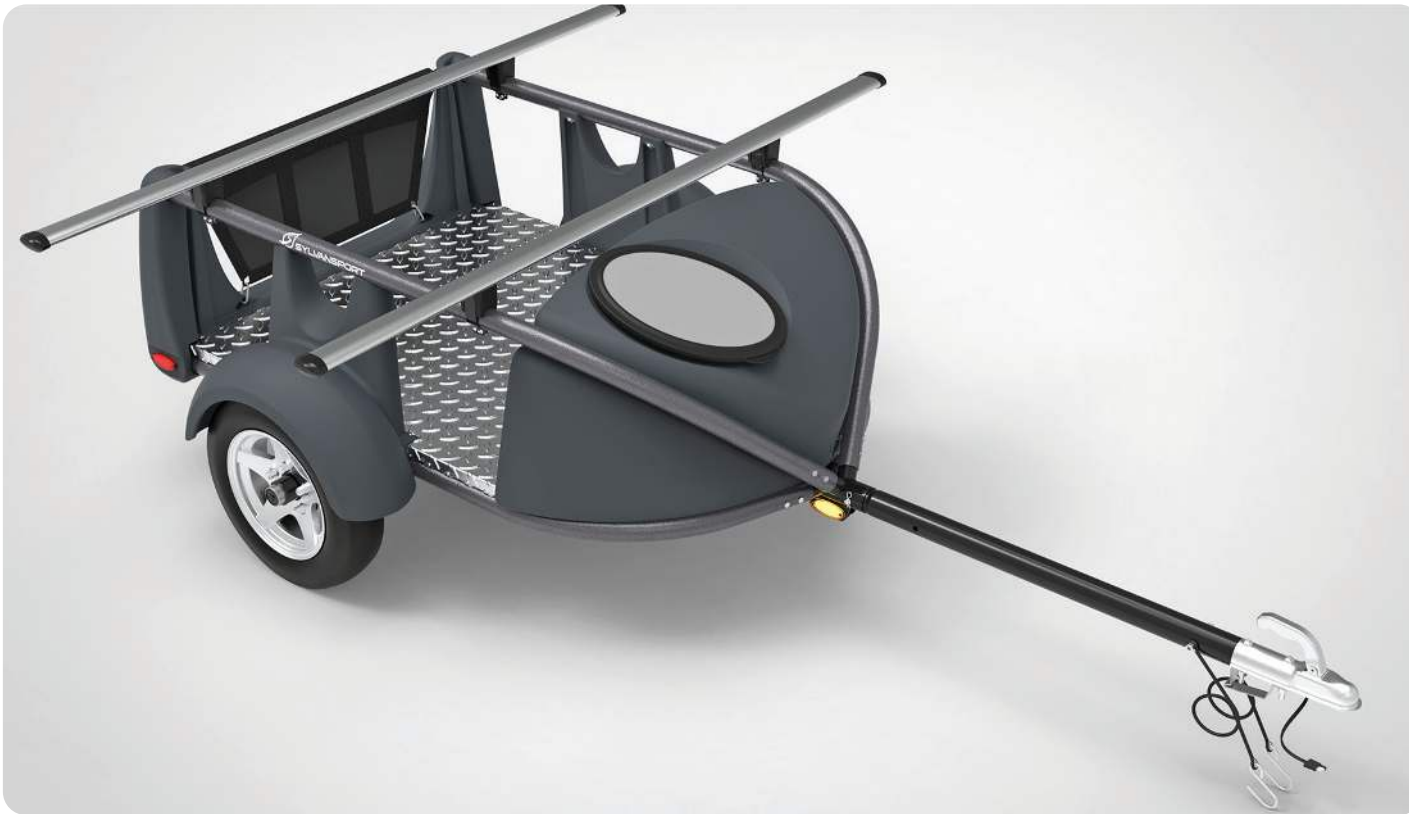


Assembly Instructions



Features

- 300 lb dynamic load capacity
- 79" aluminum Crossbars
- Reinforced Spacer Blocks
- Lockable
- Weatherproof
- Easy assembly
- Maintenance free

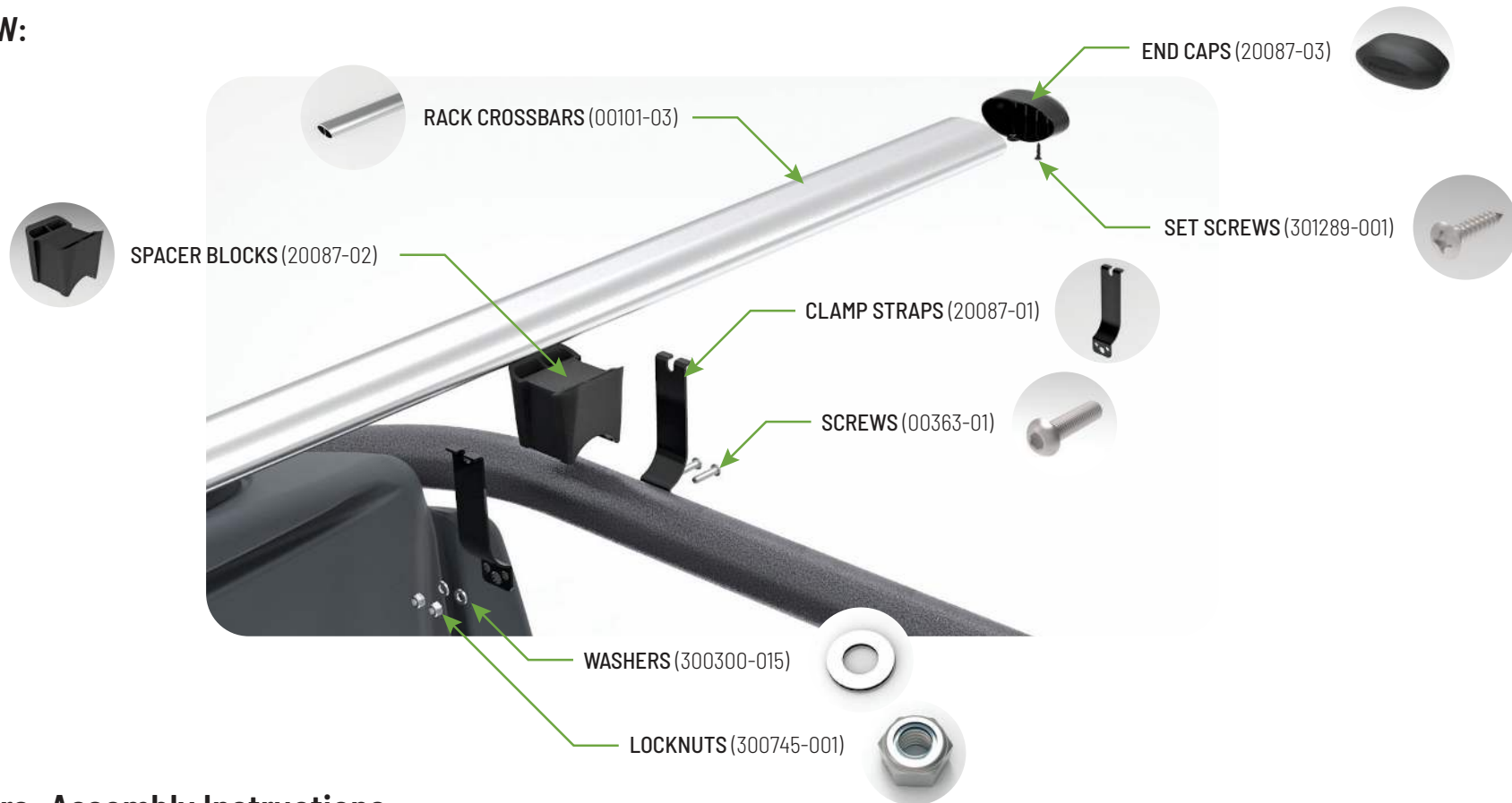
DURABARS



PARTS LIST:

PART NO.	QTY.	DESCRIPTION
00101-03	2	DURABAR CROSSBAR - 79" ALUMINUM
20087-01	8	CLAMP STRAP - FOR ALUMINUM CROSSBARS
00363-01	8	SCREW - M6x1MMx25MM, HEX DRIVE, BUTTON HEAD
300300-015	8	WASHER - FLAT, M66,4MM ID, 12MM OD
300745-001	8	LOCK NUT - LOCKING, NYLON INSERT, M6-1, 6L
20087-02	4	SPACER BLOCK - FOR ALUMINUM DURABAR CROSSBAR
20087-03	4	END CAP - FOR ALUMINUM RACK CROSSBAR
301289-001	4	END CAP SET SCREW - TAPPING, #6x0.63I, OVAL HEAD PHILLIPS

OVERVIEW:



DURABARS

1. REVIEW PARTS AND OVERVIEW:

Check the contents of your kit and make sure all parts have arrived and are in satisfactory condition. The Overview on page one should provide an understanding of the basic assembly method.

2. ASSEMBLE FIRST SPACER BLOCK ASSEMBLY:

Locate the two small tabs on the Clamp Bars and the two slots on the bottom of the Crossbars. Secure the tabs into the slots, locate the Spacer Block as shown and rotate the Clamp Bars inward.



Spacer Block assembly and hardware

3. PLACE FIRST DURABAR ASSEMBLY INTO POSITION:

While holding Clamp Bars and Spacer Block in position, rotate and drop down on to GO Easy Side Rails. Using provided hardware, fasten one assembly together as shown in Step 2 and below. Repeat this process on remaining three locations. Leave fasteners loose enough for last minute spacing adjustment

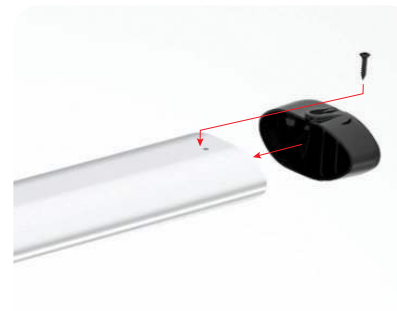


**NOTE: If you have difficulty pulling Clamp Bars close enough together, to engage the Nut to the Bolt, try using pliers or Channel Lock to assist drawing the bars closer to each other.*

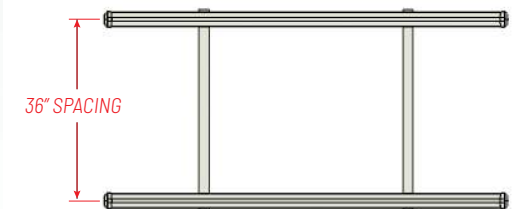
Spacer Block assembly and hardware (with security lock attached - sold separately)

4. SECURE END CAPS AND SPACE THE DURABARS:

Secure the End Caps to the end of the Crossbars. Using the End Cap Set Screws, tighten until Set Screw is firmly secured. Repeat on all four corners. Space the Crossbars approximately 36" between centers (as shown below). Spacing distance may vary, based on application or preference. When final position is achieved, secure all fasteners.



Underside view (for reference)



Top view of Dura Bars in position



SYLVANSPORT®

DURABARS

CUSTOMER SERVICE CONTACTS:

SYLVANSPORT.COM

PHONE: 828.393.4927

EMAIL: SERVICE@SYLVANSPORT.COM

